



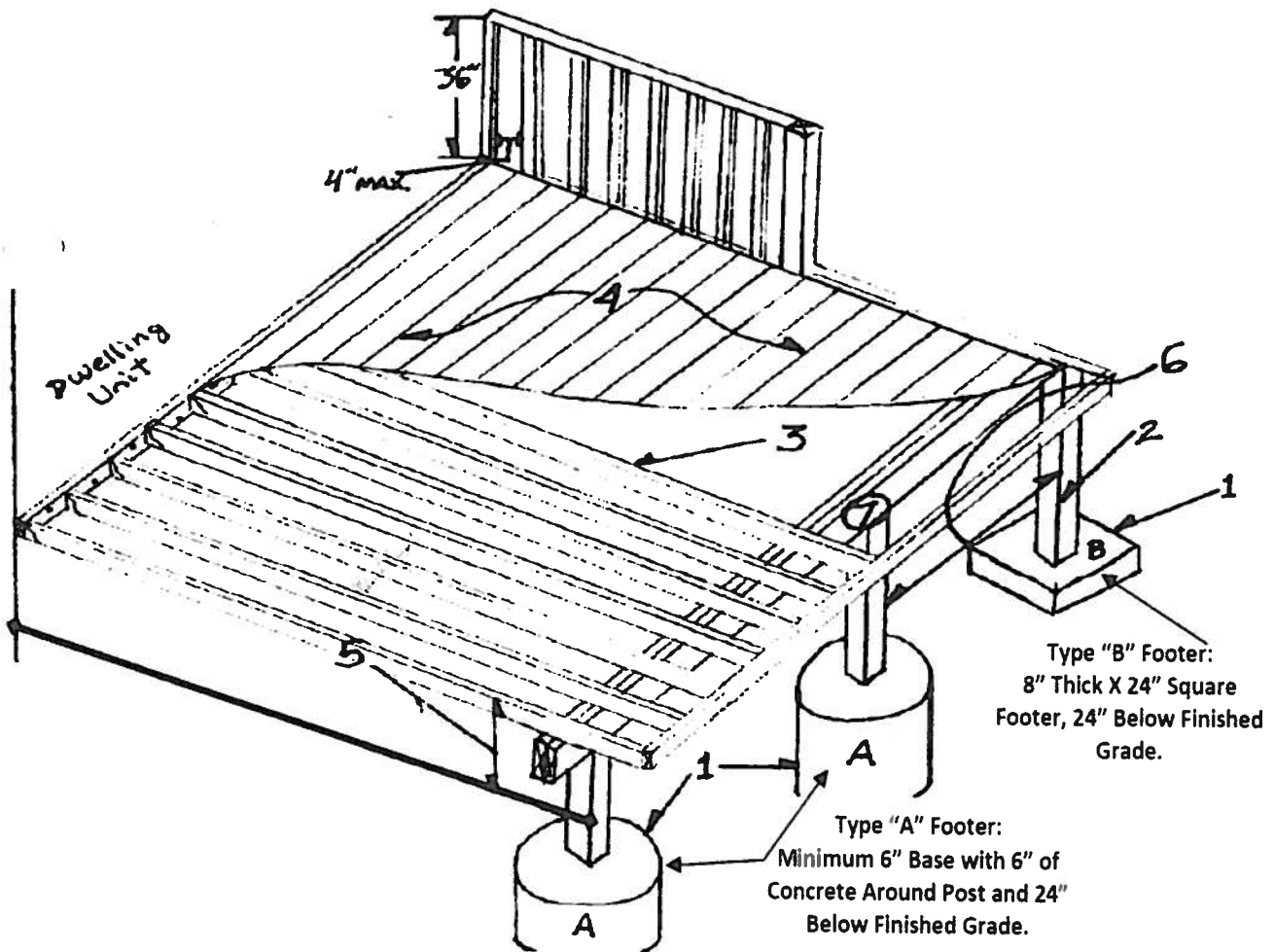
DECK DETAIL SHEET

PLEASE MATCH THE PICTURE AT THE BOTTOM WITH THE CORRESPONDING NUMBER AT TOP.
SEE REVERSE SIDE FOR ALLOWABLE JOIST & DECK SPANS. YOU MUST ATTACH A PLAIN VIEW DRAWING
OF DECK SHOWING FOOTER LOCATION WITH THIS DETAIL.

- 1) FOOTER TYPE (A or B) _____
- 2) POST SIZE _____
- 3) JOIST SIZE _____
- 3a) SPACING _____
- 4) FLOOR MATERIAL _____
- 5) DISTANCE ABOVE FINISHE GRADE _____
- 6) DISTANCE BETWEEN POST _____
- 7) SIZE OF BEAM/BIRDER _____

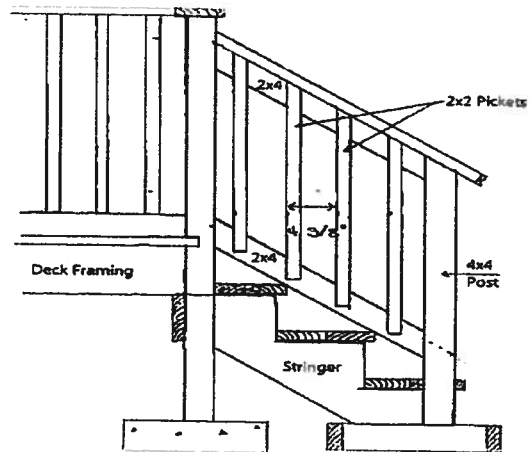
NOTE: When deck Is Attached to the structure, State Method of Attachment

- A. Joist Hangers At Both Ends
- B. Beam Under Joist



Minimum Guardrail Height is 36", with No more than 4" permitted between spindles/balusters.
When there are four or more risers, handrails shall be 34" to 38" in height.

Stairs: The maximum riser height shall be 7 3/4", the minimum tread depth shall be 10".



ALLOWABLE DECK FLOOR JOIST SPANS

TABLE R507.5
DECK JOIST SPANS FOR COMMON LUMBER SPECIES¹ (ft. - in.)

SPECIES ^a	SIZE	SPACING OF DECK JOISTS WITH NO CANTILEVER ^b (inches)			SPACING OF DECK JOISTS WITH CANTILEVERS ^c (inches)		
		12	16	24	12	16	24
Southern pine	2 x 6	9-11	9-0	7-7	6-8	6-8	6-8
	2 x 8	13-1	11-10	9-8	10-1	10-1	9-8
	2 x 10	16-2	14-0	11-5	14-6	14-0	11-5
	2 x 12	18-0	16-6	13-6	18-0	16-6	13-6
Douglas fir-larch ^d , hem-fir ^d spruce-pine-fir ^d	2 x 6	9-6	8-8	7-2	6-3	6-3	6-3
	2 x 8	12-6	11-1	9-1	9-5	9-5	9-1
	2 x 10	15-8	13-7	11-1	13-7	13-7	11-1
	2 x 12	18-0	15-9	12-10	18-0	15-9	12-10
Redwood, western cedars, ponderosa pine ^e , red pine ^e	2 x 6	8-10	8-0	7-0	5-7	5-7	5-7
	2 x 8	11-8	10-7	8-8	8-6	8-6	8-6
	2 x 10	14-11	13-0	10-7	12-3	12-3	10-7
	2 x 12	17-5	15-1	12-4	16-5	15-1	12-4

CANTILEVER SPANS

TABLE R502.3.3(1)
CANTILEVER SPANS FOR FLOOR JOISTS SUPPORTING LIGHT-FRAME EXTERIOR BEARING WALL AND ROOF ONLY^{a, b, c, f, g, h}
(Floor Live Load = 40 psf, Roof Live Load = 20 psf)

MEMBER & SPACING	MAXIMUM CANTILEVER SPAN (uplift force at backspan support in lbs.) ^{d, e}											
	Ground Snow Load											
	20 psf			30 psf			50 psf			70 psf		
	Roof Width			Roof Width			Roof Width			Roof Width		
	24 ft	32 ft	40 ft	24 ft	32 ft	40 ft	24 ft	32 ft	40 ft	24 ft	32 ft	40 ft
2 x 8 @ 12"	20" (177)	15" (227)	—	18" (209)	—	—	—	—	—	—	—	—
2 x 10 @ 16"	29" (228)	21" (297)	16" (364)	26" (271)	18" (354)	—	20" (375)	—	—	—	—	—
2 x 10 @ 12"	36" (166)	26" (219)	20" (270)	34" (198)	22" (263)	16" (324)	26" (277)	—	—	19" (356)	—	—
2 x 12 @ 16"	—	32" (287)	25" (356)	36" (263)	29" (345)	21" (428)	29" (367)	20" (484)	—	23" (471)	—	—
2 x 12 @ 12"	—	42" (209)	31" (263)	—	37" (253)	27" (317)	36" (271)	27" (358)	17" (447)	31" (348)	19" (462)	—
2 x 12 @ 8"	—	48" (136)	45" (169)	—	48" (164)	38" (206)	—	40" (233)	26" (294)	36" (230)	29" (304)	18" (379)

ALLOWABLE DECK FLOOR JOIST SPANS

TABLE R507.5
DECK JOIST SPANS FOR COMMON LUMBER SPECIES¹ (ft. - in.)

SPECIES ^a	SIZE	SPACING OF DECK JOISTS WITH NO CANTILEVER ^b (inches)			SPACING OF DECK JOISTS WITH CANTILEVERS ^c (inches)		
		12	16	24	12	16	24
Southern pine	2 x 6	9-11	9-0	7-7	6-8	6-8	6-8
	2 x 8	13-1	11-10	9-8	10-1	10-1	9-8
	2 x 10	16-2	14-0	11-5	14-6	14-0	11-5
	2 x 12	18-0	16-6	13-6	18-0	16-6	13-6
Douglas fir-larch ^d , hem-fir ^d spruce-pine-fir ^d	2 x 6	9-6	8-8	7-2	6-3	6-3	6-3
	2 x 8	12-6	11-1	9-1	9-5	9-5	9-1
	2 x 10	15-8	13-7	11-1	13-7	13-7	11-1
	2 x 12	18-0	15-9	12-10	18-0	15-9	12-10
Redwood, western cedars, ponderosa pine ^e , red pine ^e	2 x 6	8-10	8-0	7-0	5-7	5-7	5-7
	2 x 8	11-8	10-7	8-8	8-6	8-6	8-6
	2 x 10	14-11	13-0	10-7	12-3	12-3	10-7
	2 x 12	17-5	15-1	12-4	16-5	15-1	12-4

MAXIMUM DECK POST HEIGHTS PERMITTED.

TABLE R507.8
DECK POST HEIGHT^a

DECK POST SIZE	MAXIMUM HEIGHT ^a
4 x 4	8'
4 x 6	8'
6 x 6	14'